

PVCG-B Series

Efficient
Gas-Fired
Water Boiler



- **Power vented**
- **Integrated boiler control system**
 - User-friendly
 - Combination high limit circulator relay and electronic ignition control
 - Energy-saving “thermal purge” feature circulates residual warm water in heating system prior to firing boiler
 - Extensively tested & proven
- **Natural or LP gas**
- **Cast iron heat exchanger**
 - Meets the ASME Boiler and Pressure Vessel Code
- **Metal section connectors**
 - Resist chemicals, increases the life of the boiler
- **Step-opening gas valve**
 - Provides smooth & quiet start-up
- **Optional 24V low water cutoff kit**
- **Lifetime limited warranty**
 - See your installing contractor for more warranty information



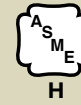
New Yorker[®]
RESIDENTIAL HEATING BOILERS

MADE IN



U . S . A .

Ratings & Specifications



Model	Input Gas (MBH)	Heating Capacity (MBH)	Net AHRI Rating, Water (MBH)	AFUE% Electronic Ignition
PVCG30BN	70.0	60	52	85.5
PVCG30BP	63.0	54	47	85.5
PVCG40BN	105.0	90	78	85.4
PVCG40BP	94.5	81	70	85.4
PVCG50BN	140.0	120	104	85.3
PVCG50BP	126.0	108	94	85.3
PVCG60BN	175.0	150	130	85.2
PVCG60BP	157.5	135	117	85.2
PVCG70BN	210.0	179	156	85.0
PVCG70BP	189.0	161	140	85.0
PVCG80BN	245.0	208	181	84.5
PVCG80BP	220.5	187	163	84.5
PVCG90BN	280.0	238	207	84.0
PVCG90BP	252.0	212	184	84.0

Standard Features

- Fully packaged
- Electronic boiler control system, includes high limit
- Taco 007 circulator
- Honeywell gas valve
- Stainless steel burners
- Safety relief valve
- Differential pressure switch
- Vent connector/terminal
- Vent terminal for horizontal/vertical (sidewall) venting
- Drain valve

MADE IN



"N" - Natural Gas
"P" - Propane

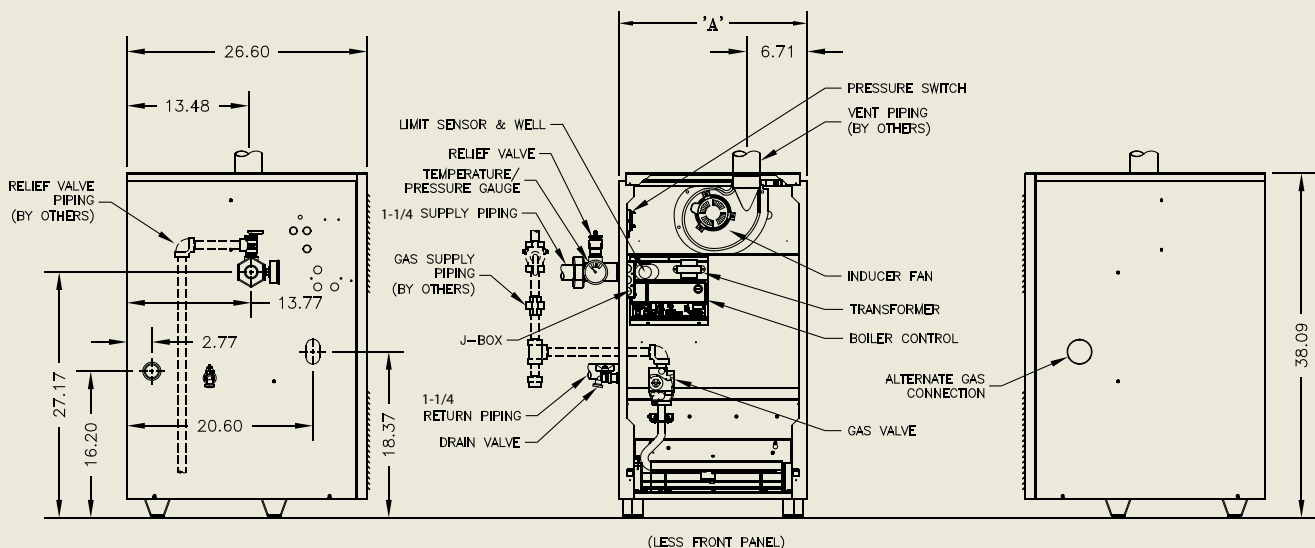
Net AHRI Water Ratings shown based on a piping and pickup allowance of 1.15. Consult manufacturer before selecting boiler for installations having unusual piping and pickup requirements, such as intermittent system operation, extensive piping systems, etc.

Model	Dimensions (inches)			Vent Size Diameter (in.)	Gas Connection (in.)	Water Content (gal.)	Approx. Ship Wt. (lbs.)
	A	B	C				
PVCG30B	11.65	26.60	38.09	3	1/2	2.16	210
PVCG40B	14.72	26.60	38.09	3	1/2	3.00	254
PVCG50B	17.78	26.60	38.09	3	1/2	3.84	298
PVCG60B	20.84	26.60	38.09	3	1/2	4.68	342
PVCG70B	23.90	26.60	38.09	3	3/4	5.52	386
PVCG80B	26.97	26.60	38.09	4	3/4	6.36	430
PVCG90B	30.03	26.60	38.09	4	3/4	7.20	474

Refer to the National Fuel Gas Code for equivalent areas of circular and rectangular flue linings.

Maximum allowable working pressure, water – 50 PSI

Safety relief valve pressure, water – 30 PSI shipped from factory (std.)



©2014 New Yorker Boiler Company, Inc., Hatfield, PA
info@newyorkerboiler.com
www.newyorkerboiler.com
PL81420111000-10-14-2M

